

State of Wyoming Corner Record

(In compliance with the *CORNER PERPETUATION AND FILING ACT*, Wyoming Statutes, 1997 Section 33-29-140 et. se., and the Rules and Regulations of the Board of Professional Engineers and Professional Land Surveyors)

Reverse side of this form may be used if more space is needed.

Record of original survey and citation of source of historical information (if corner is lost or obliterated). Description of corner monumentation evidence found and/or monument and accessories established to perpetuate the location of this corner. Sketch of relative location of monument, accessories, and reference points with course and distance to adjacent corner(s) (if determined in this survey). Method and rationale for re-establishment of lost or obliterated corner.

RECORD: G.L.O. survey by J. Wesley Hammond in 1873; "80.00 ch: a Sandstone 24x12x3 set 18 inches deep marked with 6 notches on each edge, set to cardinal"

FOUND: No evidence of marked stone. Used intersection of county right-of-way fences and fence to west and fence to east, by splitting distance as best available evidence.

Re-monumentation: Set 3.2" Alum. cap on 2.5x35" aluminum post 0.1' below paved county road. Set 3.2 Alum. cap on 2.5x36" alum. post reference monuments to N.E. & N.W., also set PK nail and alum. washer reference points on top of leaning fence corner post to west and to east.

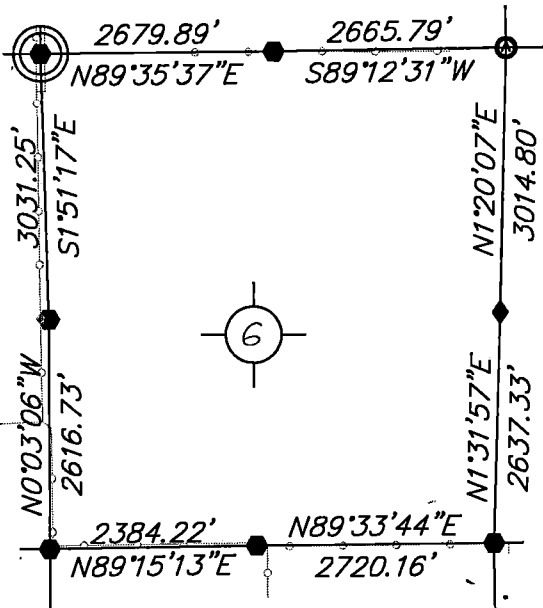
NAD83, position:

Point #	North	East	Elev.
1861012	389510.19	939515.90	4810.52

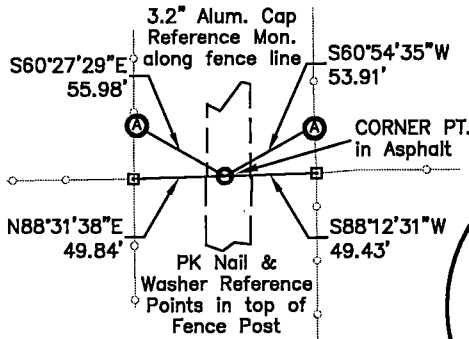
NOTE: After extensive work in this township I found many corner stones moved & wired to fences in low areas.

NOTE: BEARINGS AND DISTANCES SHOWN HEREON ARE BASED UPON GRID USING NAD83 WYOMING EAST ZONE AND TRIMBLE RB GPS OBSERVATION

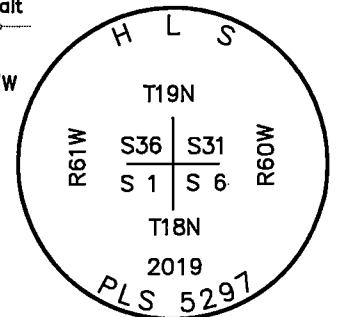
Monument Location



SKETCH



corner referenced this record =



Monument Inscription

Date of Field Work: May 25, 2019

Office Reference: DRG-21812, Pt.1861012

This corner record was prepared by me or under my direction and supervision.
SEAL & SIGNATURE

Cross Index Plat

1	2	3	4	5	6	7	8	9	10	11	12	13	14	15	16	17	18	19	20	21	22	23	24	25	
A	+	+	+	+	+	+	+	+	+	+	+	+	+	+	+	+	+	+	+	+	+	+	+	+	A
B	+	+	+	+	+	+	+	+	+	+	+	+	+	+	+	+	+	+	+	+	+	+	+	+	B
C	6	5	4	3	2	1	+	+	+	+	+	+	+	+	+	+	+	+	+	+	+	+	+	+	C
D	+	+	+	+	+	+	+	+	+	+	+	+	+	+	+	+	+	+	+	+	+	+	+	+	D
E	+	+	+	+	+	+	+	+	+	+	+	+	+	+	+	+	+	+	+	+	+	+	+	+	E
F	+	+	+	+	+	+	+	+	+	+	+	+	+	+	+	+	+	+	+	+	+	+	+	+	F
G	7	8	9	10	11	12	+	+	+	+	+	+	+	+	+	+	+	+	+	+	+	+	+	+	G
H	+	+	+	+	+	+	+	+	+	+	+	+	+	+	+	+	+	+	+	+	+	+	+	+	H
J	+	+	+	+	+	+	+	+	+	+	+	+	+	+	+	+	+	+	+	+	+	+	+	+	J
K	+	+	+	+	+	+	+	+	+	+	+	+	+	+	+	+	+	+	+	+	+	+	+	+	K
L	18	17	16	15	14	13	+	+	+	+	+	+	+	+	+	+	+	+	+	+	+	+	+	+	L
M	+	+	+	+	+	+	+	+	+	+	+	+	+	+	+	+	+	+	+	+	+	+	+	+	M
N	+	+	+	+	+	+	+	+	+	+	+	+	+	+	+	+	+	+	+	+	+	+	+	+	N
O	+	+	+	+	+	+	+	+	+	+	+	+	+	+	+	+	+	+	+	+	+	+	+	+	O
P	+	+	+	+	+	+	+	+	+	+	+	+	+	+	+	+	+	+	+	+	+	+	+	+	P
Q	19	20	21	22	23	24	+	+	+	+	+	+	+	+	+	+	+	+	+	+	+	+	+	+	Q
R	+	+	+	+	+	+	+	+	+	+	+	+	+	+	+	+	+	+	+	+	+	+	+	+	R
S	+	+	+	+	+	+	+	+	+	+	+	+	+	+	+	+	+	+	+	+	+	+	+	+	S
T	30	29	28	27	26	25	+	+	+	+	+	+	+	+	+	+	+	+	+	+	+	+	+	+	T
U	+	+	+	+	+	+	+	+	+	+	+	+	+	+	+	+	+	+	+	+	+	+	+	+	U
V	+	+	+	+	+	+	+	+	+	+	+	+	+	+	+	+	+	+	+	+	+	+	+	+	V
W	+	+	+	+	+	+	+	+	+	+	+	+	+	+	+	+	+	+	+	+	+	+	+	+	W
X	+	+	+	+	+	+	+	+	+	+	+	+	+	+	+	+	+	+	+	+	+	+	+	+	X
Y	31	32	33	34	35	36	+	+	+	+	+	+	+	+	+	+	+	+	+	+	+	+	+	+	Y
Z	+	+	+	+	+	+	+	+	+	+	+	+	+	+	+	+	+	+	+	+	+	+	+	+	Z
1	2	3	4	5	6	7	8	9	10	11	12	13	14	15	16	17	18	19	20	21	22	23	24	25	

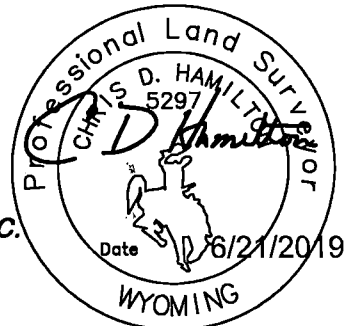
Firm/Agency, Address

this corner record provided by:

**HAMILTON
LAND
SURVEYING**

UNDER CONTRACT TO:

DRG **RIFFIN & ASSOCIATES, INC.**
1414 ELK ST., SUITE 202
ROCK SPRINGS, WY 82901
(307) 362-5028



This "corner record" was filed at

RECP #: 756319

RECORDED 7/1/2019 AT 10:41 AM BK# 2627 PG# 833

Debra K. Lee, CLERK OF LARAMIE COUNTY, WY PAGE 1 OF 1
County Clerk Deputy

STATE of WYOMING, Office of Clerk & Recorder, County of Laramie
this block provided for county filing documentation

Corner Name: Northwest, Section: 6, T 18N, R 60W, 6th P.M., Cross-Index No.: A-01

SBRPEPLS/PLSW: March 1994; PLSW January 1998

County: LARAMIE, Wyoming